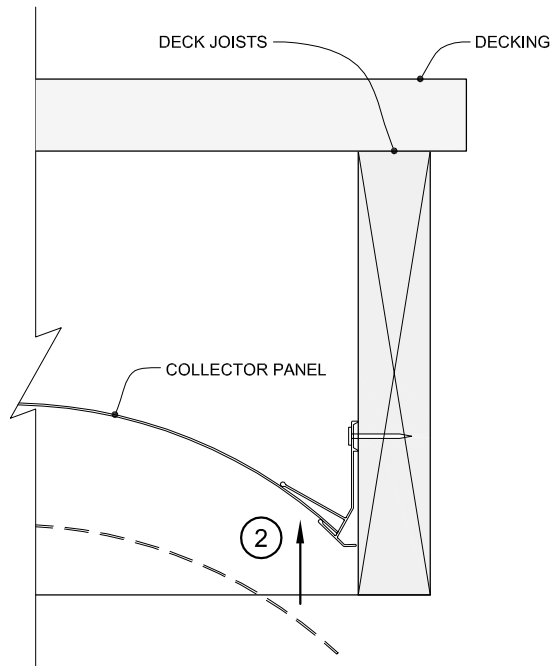


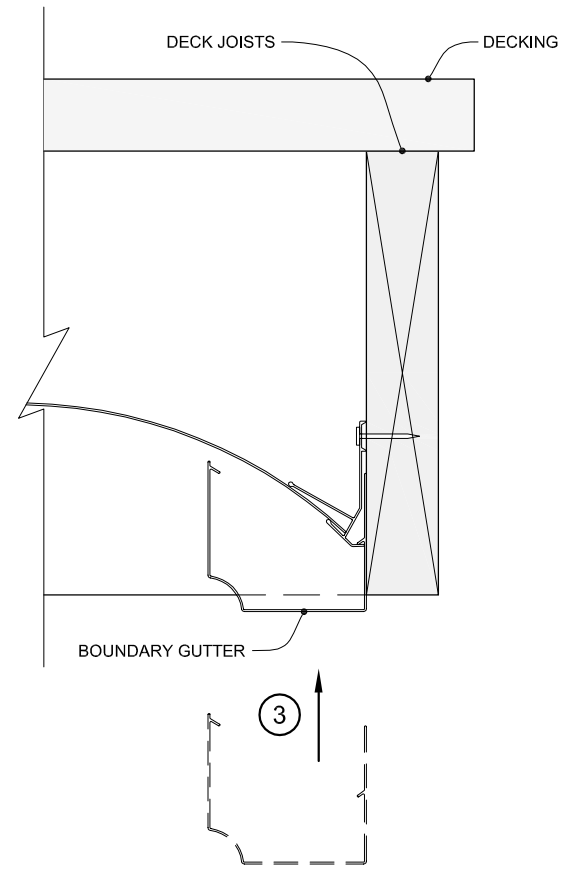
STEP 1

LAYOUT AND FASTEN JOIST RAIL TO DECK JOIST



STEP 2

INSERT THE COLLECTOR PANEL INTO THE JOIST RAIL



STEP 3

INSERT THE BOUNDARY GUTTER BEHIND THE JOIST RAIL

D:\17-Install-Order-Bndry.dwg

Designed By: RKM
Checked By:
Scale: No Scale

Title:
Project:

Underdeck System Installation Detail

Underdeck Details

Date: 12/22/04
Project No:
Drawing No: 17