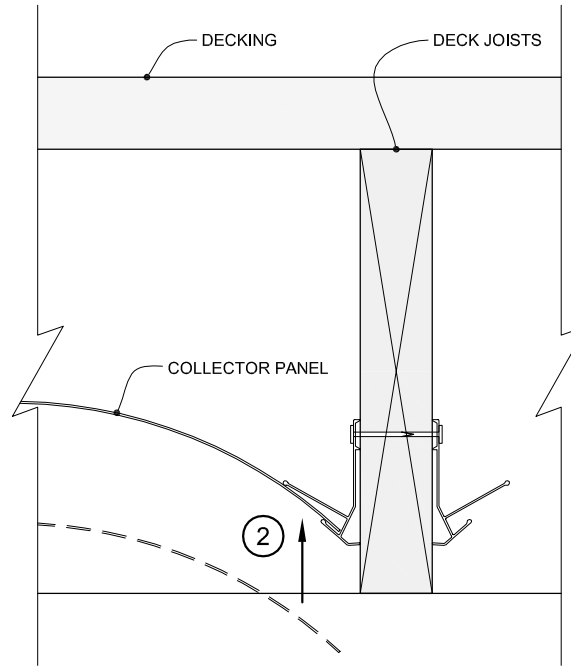


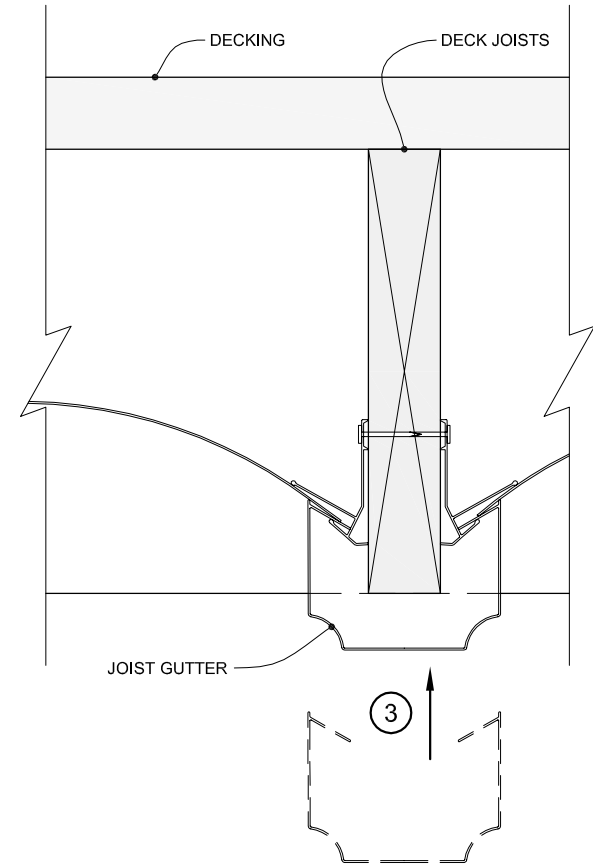
STEP 1

LAYOUT AND FASTEN JOIST RAILS TO DECK JOISTS



STEP 2

INSERT THE COLLECTOR PANELS INTO THE JOIST RAILS



STEP 3

INSERT THE JOIST GUTTERS INTO THE JOIST RAILS

Dil-16-Install-Order.dwg

Designed By: RKM Checked By: Scale: No Scale	Title:	Underdeck System Installation Detail	Date:	12/22/04
	Project:		Underdeck Details	Project No:
				Drawing No: